



## MVS Sifting Table

### Application

- Panel board industry (e.g. cleaning of fines for surface layer)
- WPC/ WFC industry
- Pellet industry
- Combustion (energy from waste)
- Cleaning of grain

### Description

The MVS Sifting Table enables effective cleaning of dry or semi-moist finely ground material from minerals, heavy impurities, dust and foils.

The material is fed from above. The light fraction is separated by air flow, blown from underneath of the inclined screen into the lower discharge. The heavy particles are moved to the upper discharge by vibration of the screen. The dust and foils are sucked into a cyclone.

### Customer benefits

- High cleaning efficiency of flakes and fines, e.g. for combustion (energy from waste)
- Separation of heavy particles from rejects after CL or SL wind sifters
- Pre-cleaning of fines for more effective combustion and lower combustion chamber maintenance
- Fast return on investment by gaining additional raw material for production or burning
- Low operation and maintenance costs, low energy consumption

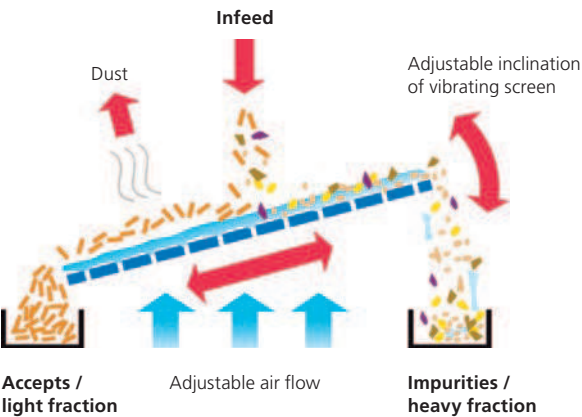
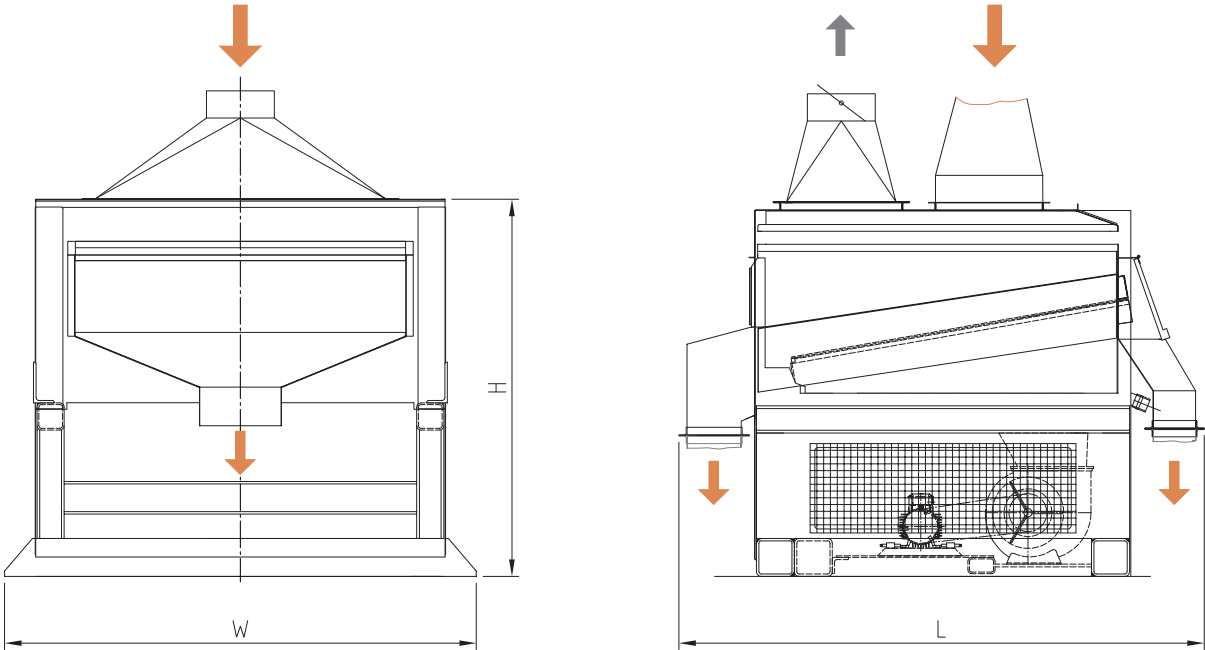
### Technical features

- Fraction separation on the basis of different specific weights
- Numerous adjustment possibilities like screen inclination and perforation, vibration frequency and amplitude, air volume and speed
- Easy exchange and cleaning of the screen
- Recirculating air operation or aspiration
- Dust-free operation due to closed casing

**MVS Sifting Table**

Type	Capacity <sup>1)</sup>	Table Drive	Fan Drive	Dimensions	Weight approx.
Working width/length mm	t/h b.d.	kW	kW	m (L x W x H)	t
MVS 590 /1000	0.8	0.37	3	1.9 x 1.2 x 1.4	0.6
MVS 1000 /1000	1.3	0.55	4	1.9 x 1.6 x 1.4	0.7
MVS 1200 /1250	1.7	0.55	4	2.0 x 1.8 x 1.4	0.8

1) Depending on specific weight and size of the material to be cleaned



**B. MAIER Zerkleinerungstechnik GmbH**  
**Dieffenbacher Group**  
 Schweriner Straße 1  
 33605 Bielefeld, Germany  
 Phone +49 521 584943-20  
 mzb@dieffenbacher.de  
 www.maier-dieffenbacher.de

Sales Department  
 Phone +49 521 584943-40  
 Service and Spare Parts  
 Phone +49 521 584943-80

**DIEFFENBACHER**

**MAIER**