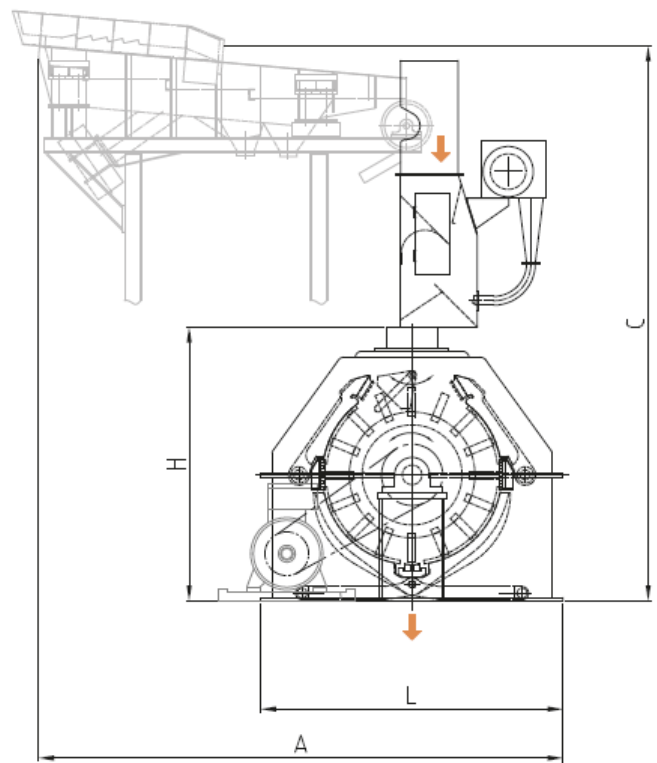
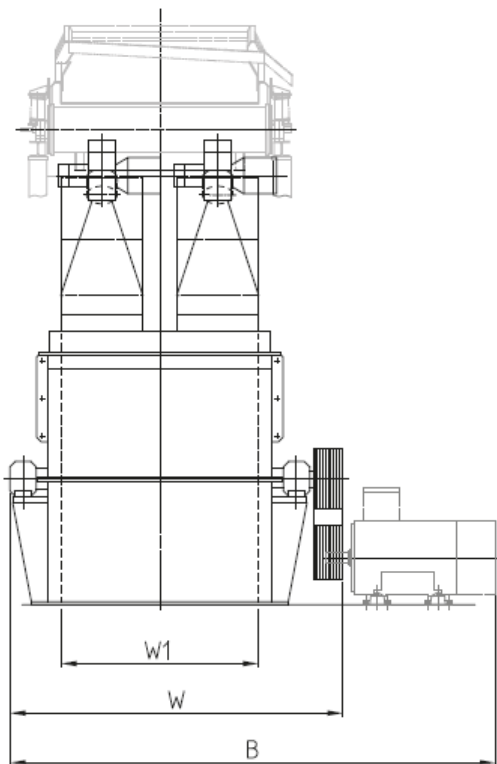


MSZ Beating Flaker

Type Rotor / Working width mm Ø / W1	Main drive kW	Capacity ¹ t/h b.d.	Dimensions basic machine ² m (L x W x H)	Dimensions complete system m (A x B x C)	Weight ² approx. t
MSZ 1000 / 1200	110 – 200	3 – 6	2.5 x 2.0 x 1.8	3.0 x 2.9 x 4.3	5
MSZ 1200 / 1600	200 – 315	5 – 9	2.7 x 2.5 x 2.0	3.1 x 4.2 x 4.6	8
MSZ 1200 / 2000	250 – 400	7 – 12	3.1 x 2.5 x 2.0	3.1 x 4.6 x 4.6	10
MSZ 1600 / 2000	355 – 500	10 – 18	3.1 x 2.8 x 2.4	3.1 x 4.8 x 4.9	15

- 1) Depending on input and size of output material
2) Dimensions and weight of basic machine without add-on units



Technical drawing Beating Flaker