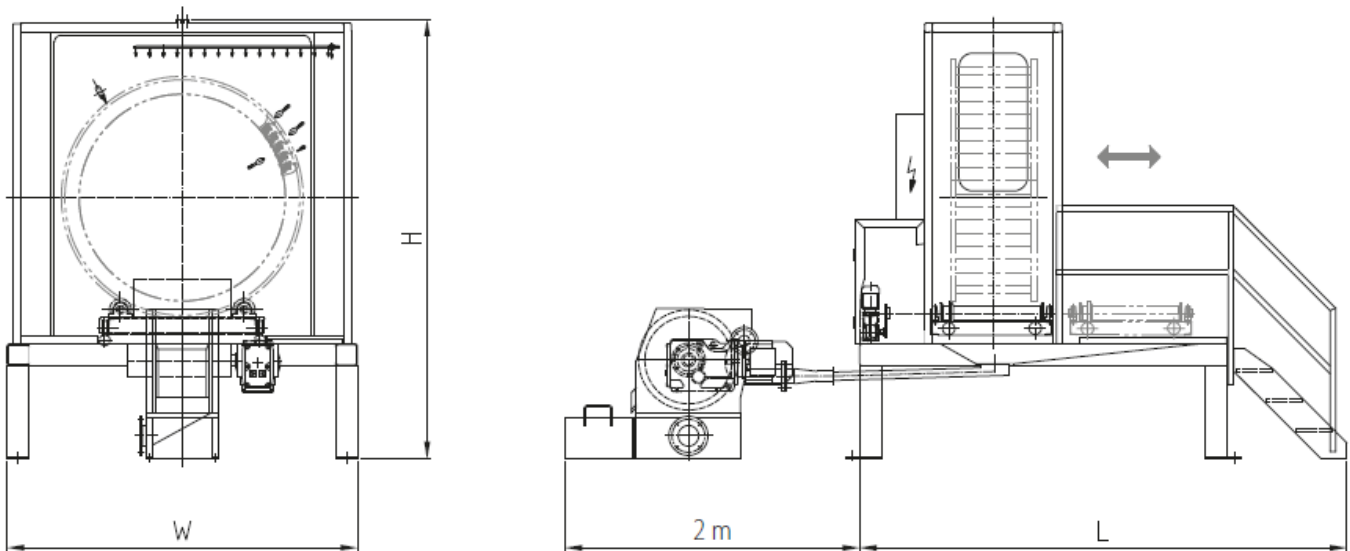


## MRM Knife Ring Cleaning Machine

Type	Knife ring mm Ø	Knife ring cleaning time <sup>1</sup> min.	Dimensions <sup>2</sup> m (L x W x H)	Weight <sup>2</sup> approx. t
MRM 1400	1,400	15 – 25	3.2 x 2.3 x 3.0	2.3
MRM 1500	1,500	20 – 30	3.5 x 2.6 x 3.2	2.7
MRM 1600	1,600	25 – 35	3.8 x 3.0 x 3.5	3.1

- 1) Depending on the chosen cleaning program and the degree of the ring pollution  
2) Dimensions and weight of complete machine with base frame



Technical drawing Knife Ring Cleaning Machine