

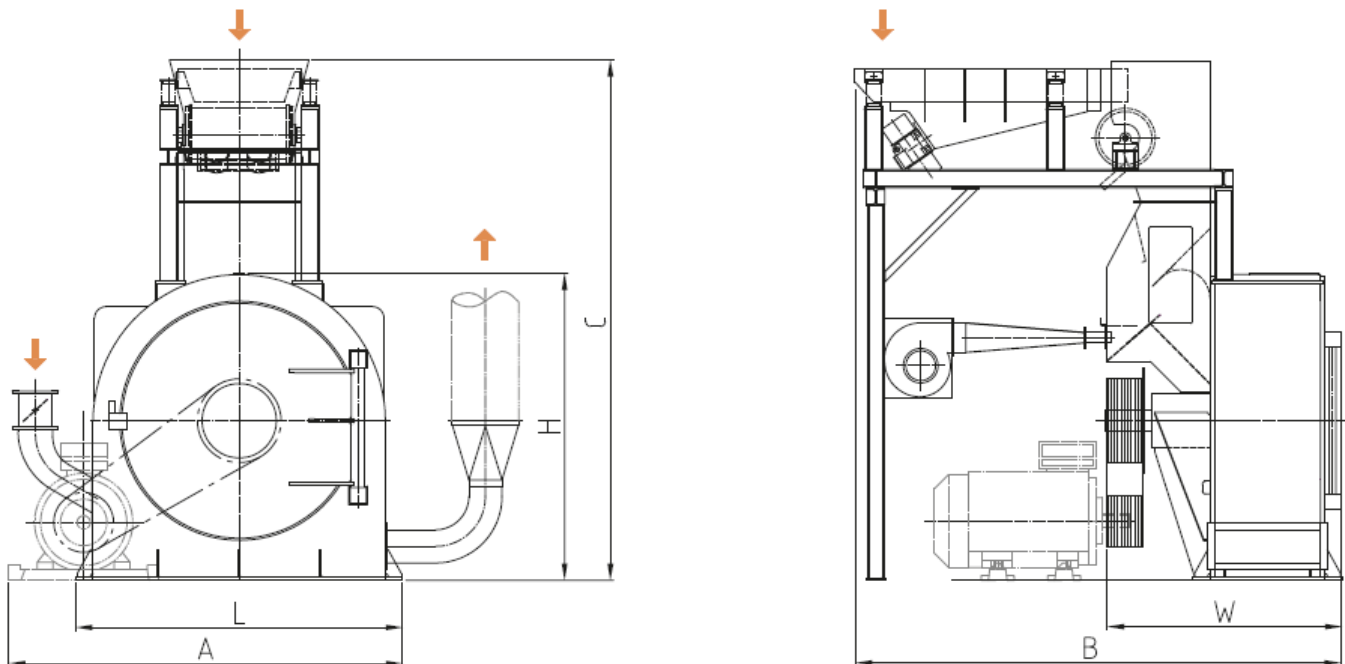
MPM Impact Mill

Type	Rotor mm \varnothing	Number of beater ledges pcs.	Width of sieve ring mm	Width of grinding track mm	Main drive kW	Capacity ¹ t/h b.d.	Dimensions basic machine ² m (L x W x H)	Dimensions complete system m (A x B x C)	Weight ² t
MPM 9 /175	900	18	230	175	90 – 132	2.0 – 2.5	1.5 x 1.1 x 1.3	2.7 x 2.1 x 2.6	1.8
MPM 12 /175	1,200	24	230	175	110 – 160	2.5 – 3.0	1.8 x 1.4 x 1.7	2.7 x 2.5 x 3.6	2.3
MPM 14 /175	1,400	30	390	175	160 – 200	3.0 – 4.0	2.3 x 1.7 x 2.2	2.7 x 2.9 x 3.8	3.8
MPM 14 /350	1,400	30	340	350	315 – 400	4.0 – 5.5	2.3 x 1.8 x 2.2	2.7 x 3.3 x 3.8	5.3
MPM 16 /350	1,600	36	360	350	355 – 450	5.5 – 6.5	2.5 x 1.9 x 2.3	3.0 x 3.3 x 3.9	6.5
MPM 18 /350	1,800	40	350	400 – 500	6.5 – 7.5	2.7 x 2.0 x 7.5	3.2 x 3.3 x 4.0	8.0	

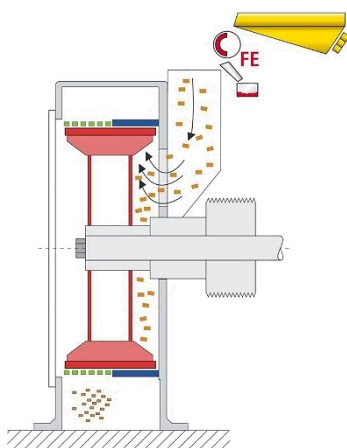
1) Maximum values achieved when processing flat flakes of coniferous wood using a 3 mm fine hole screen insert

2) Dimensions and weight of basic machine with V-belt pulley on machine side without add-on units

Note: The MPM is exhausted with approx. 4 m³ air per kg material



Technical drawing Impact Mill



Operating principle Impact Mill